

TORIN

SPRING COILERS

Dual Point
Revolution Series

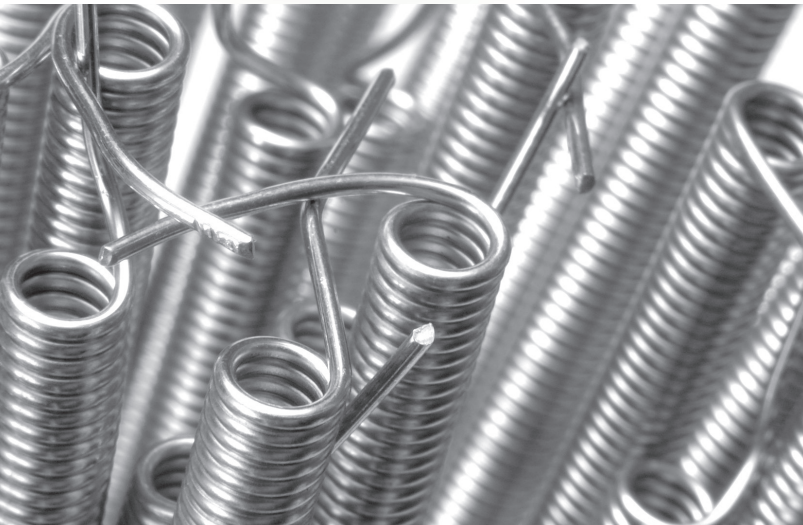
- Programmable horizontal pitch & vertical (wedge) pitch
- Programmable servo elliptical cutter motion





Standard Features

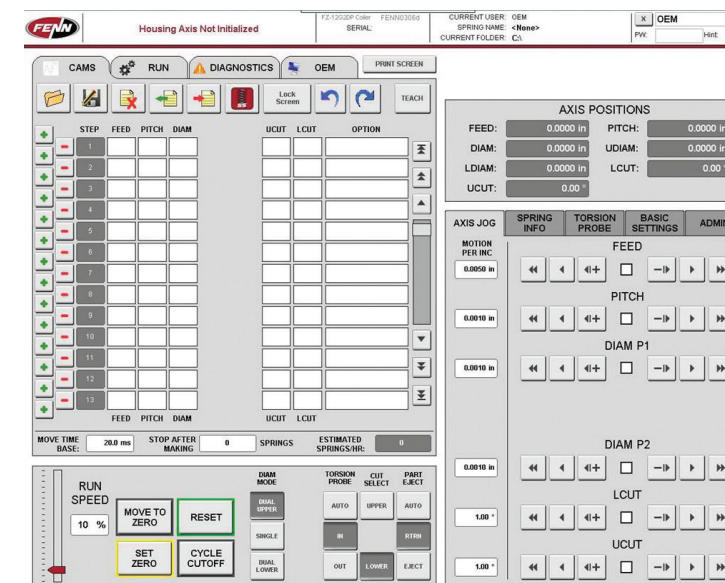
- **Left-hand or right-hand coiling**
Save on set up time with three programmable axes for diameter allowing quick, 2 screw, changeover from left-hand to right-hand spring helix
- **Movable wire lines**
Save time and get production up and running faster with the multi wire line tooling; wire line tooling does not need to be changed with the wire size
- **Common guides and feed rolls**
Compatible with your existing Torin machines
- Heavy-duty construction
- High speed
- High accuracy
- Tight index spring production
- User-friendly operator interface
 - Torin's latest software combines many high-tech features paired with our classic CNC-style programming, making training easy for current Torin operators
 - Available in multiple languages to accommodate a diverse workforce
 - Complete system diagnostics accessibility.
 - Spring Jog Mode allows the operator to step through the program; highlighting each operation on the CAMS screen
- Ergonomics
 - Remote hand wheel for easy setup
 - Pendant-style operator interface with 19-inch touchscreen display
 - Easy accessibility from all sides, including a full door to access the back of the machine face ensures quick, easy maintenance
- Industry-leading 2-year warranty



SPRINGPORTAL allows for secure connection to your machine by a FENN technician. Our technicians can remotely access your machine to provide software updates, diagnostic support and access machine set-up conditions. FENN's real-time video feature allows our technicians to see exactly what's happening with your machine and help you resolve issues quickly.

Spring Shortcut Spring Program Generator

- Accelerates the spring program development process by allowing the operator to enter a few key characteristics to generate a spring program
- Allows less experienced spring operators the opportunity to learn by making minor adjustments to generated programs rather than developing the entire program
- Shortened setup enables more time for profitable production runs

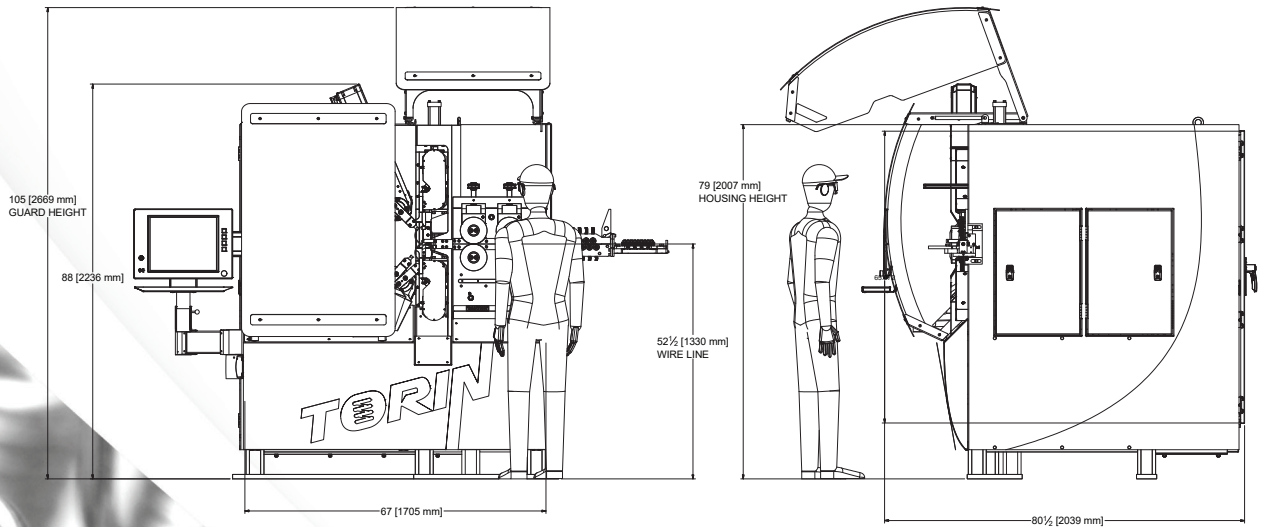


Optional Features

- **Length gauge interface**
For a custom-supplied length gauge, such as a Larson or Moyer, the free length can be automatically adjusted on the fly
- **Laser probe**
Provides precise feedback of spring geometry to the control system, enabling the spring maker to control critical dimensions such as the angular clocking of torsion legs and extension hooks
- **Part handling devices**
Dump troughs, conveyor belts, and ejection devices
- **Wire straighteners**
High-quality two-plane straighteners eliminate cast in the wire, resulting in higher-quality springs
- **Custom-configured programmable inputs/outputs**
Enables the connection of secondary inline equipment
- **End of wire sensor**
Signals the operator when the wire has run out or when the machine will shut down for lights-out production
- **Tool breakage sensor**
Sensor will stop the machine, preventing further damage if a tool breaks or malfunctions in the setup
- **Custom auxiliary attachments**
Available to suit your complete forming needs
- **Cutter height adjust**
Fully programmable cutter height adjuster
- **Wire de-reelers/payoff**

Machine Size		0	1	1-1/2	3	2-1/2	3	4	5
Model #		R 10	R 11	R 115	R 12	R 125	R 23	R 24	R 25
Wire Diameter	in.	.008 – .028	.015 – .080	.032 – .135	.047 – .177	.080 – .275	.125 – .375	.250 – .625	.375 – .750
	mm	.20 – .70	.40 – 2.0	.80 – 3.5	1.2 – 4.5	2.0 – 7.0	3.2 – 9.5	6.35 – 16	9.5 – 19
Minimum Index		3	3	3	3	3	3	5	5
Spring Box Max.	in.	.875	1.75	2.25	3.25	4.25	5	6	10
	mm	22	44	57	83	108	127	152	254
Feed Length		Unlimited							

All dimensions subject to factory confirmation. Dependent on the spring geometry, larger sizes are possible. Contact FENN with your specific application.



FENN, LLC

80 Clark Drive, Unit 5D | East Berlin, CT 06023 USA

TORIN MACBEE

t: 860.259.6600 f: 860.259.6601 e: info@fenn-torin.com w: fenn-torin.com



All FENN machinery is proudly designed and built in our USA headquarters. Contact us today to see how FENN can customize a metal forming machine that is best suited to your application requirements.

A Trusted Leader in Custom Engineered Metal Forming Machinery

FENN has been designing and building rugged, dependable metal-forming machinery for more than a century. From initial design to manufacturing and equipment support, FENN has a full team of experts, including customer service technicians, product managers, and engineers, to ensure your project's success.

From initial design to manufacturing and equipment support, FENN has a full team of experts, including customer service technicians, product managers, and engineers, to ensure your project's success.

Specifications subject to change without notice. Not responsible for typographical errors. 115-099 V0724-A